

TYPE = ABMESSUNG "A" mm	ABMESSUNG "C" mm	"D" mm
TWUB 11/300	300	180
TWUB 11, 12, 14, 15, 16, 17, 20, 24, 25, 30, 32, 35	150	180
TWUB 40, 42, 43, 45, 50, 51, 56, 60, 65, 70	150	180
TWUB 72, 75, 76, 77, 80, 83	150	250
TWUB 90, 100, 102, 105, 110, 114	150	275
TWUB 120, 125, 138, 140, 150, 160, 170, 180, 200	150	350

GESCHLOSSENES RUNDFORMSTÜCK ZUR BEARBEITUNG DER DURCHBRÜCHE

TYPE: TWUB KR 000

CODE: 960111000

MASSSTAB: 1:3

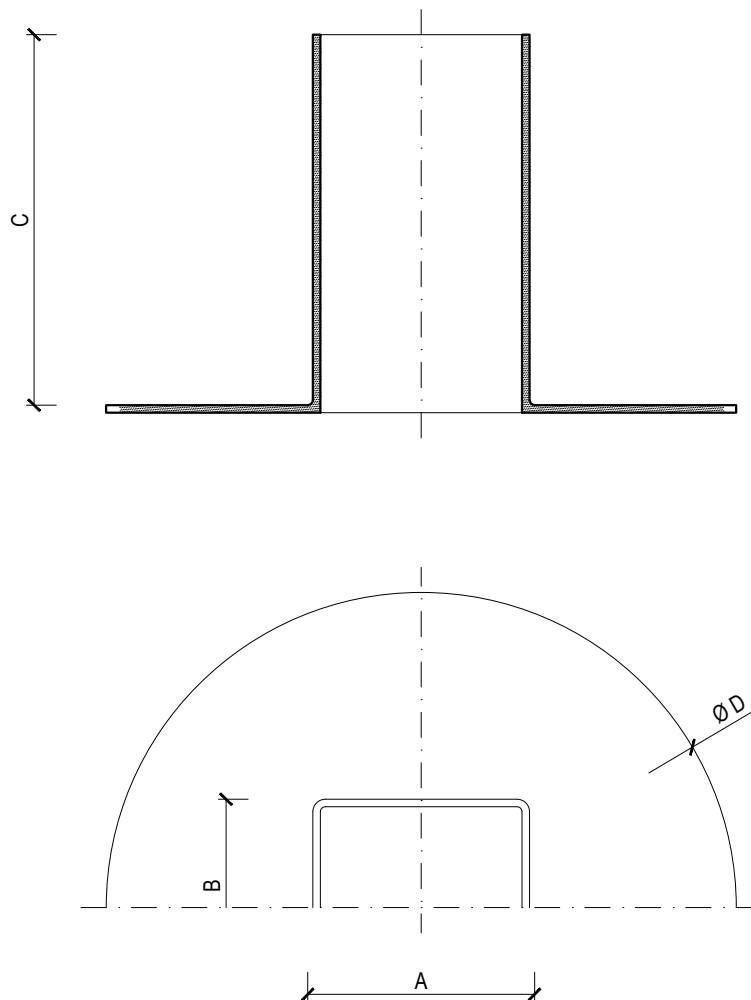
GEWICHT: kg

MATERIAL: BIT

TOPWET®
ROOF ELEMENTS

WWW.TOPWET.CZ

INFO: +420 777 701 241



TYPE = ABMESSUNG "A" x "B" mm	ABMESSUNG "C" mm	"D" mm
TWUB 8x40, 8x50, 10x30, 10x40, 10x50, 15x35, 16x16, 10x35, 20x20, 20x35	150	180
TWUB 20x40, 25x25, 25x30, 30x30, 10x60, 15x50, 15x60, 20x50, 20x70	150	180
TWUB 25x45, 25x50, 27x40, 30x40, 30x50, 30x60, 35x35, 35x50, 35x70	150	180
TWUB 40x40, 40x45, 40x50, 40x55, 40x60, 40x70, 45x45, 50x50, 60x60	150	180
TWUB 8x80, 10x90, 10x100, 15x100, 40x80, 50x80, 55x85, 70x70, 80x80	150	250
TWUB 50x100, 60x100	150	275
TWUB 50x150, 60x120, 75x145, 80x160, 100x100, 100x150, 120x120, 120x140	150	350
TWUB 150x150	150	350

GESCHLOSSENES VIERECKIGES FORMSTÜCK ZUR BEARBEITUNG DER DURCHBRÜCHE

TYPE: TWUB CT 000

CODE: 960121000

MASSSTAB: 1:3

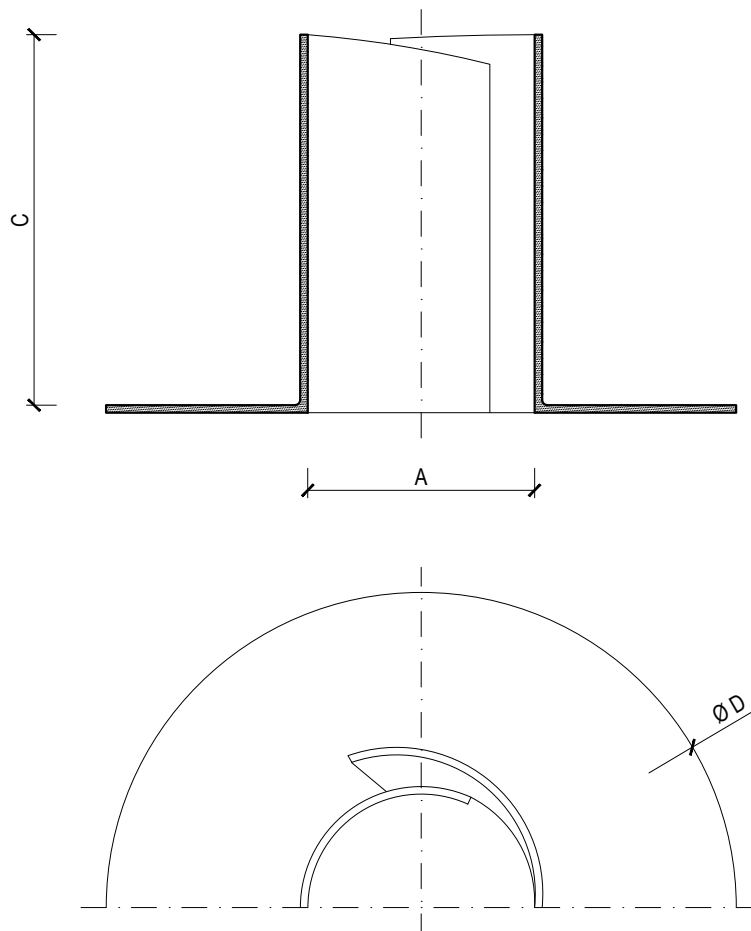
GEWICHT: kg

MATERIAL: BIT

TOPWET®
ROOF ELEMENTS

WWW.TOPWET.CZ

INFO: +420 777 701 241



TYPE = ABMESSUNG "A" mm	ABMESSUNG "C" mm	"D" mm
TWOB 15, 16, 17, 20, 24, 25, 30, 32, 35	150	180
TWOB 40, 42, 43, 45, 50, 51, 56, 60, 65, 70	150	180
TWOB 72, 75, 76, 77, 80, 83	150	250
TWOB 90, 100, 102, 105, 110, 114	150	275
TWOB 120, 125, 138, 140, 150, 160, 170, 180, 200	150	350

GEÖFFNETES RUNDFORMSTÜCK ZUR BEARBEITUNG DER DURCHBRÜCHE

TYPE: TWOB KR 000

CODE: 960131000

MASSTAB: 1:3

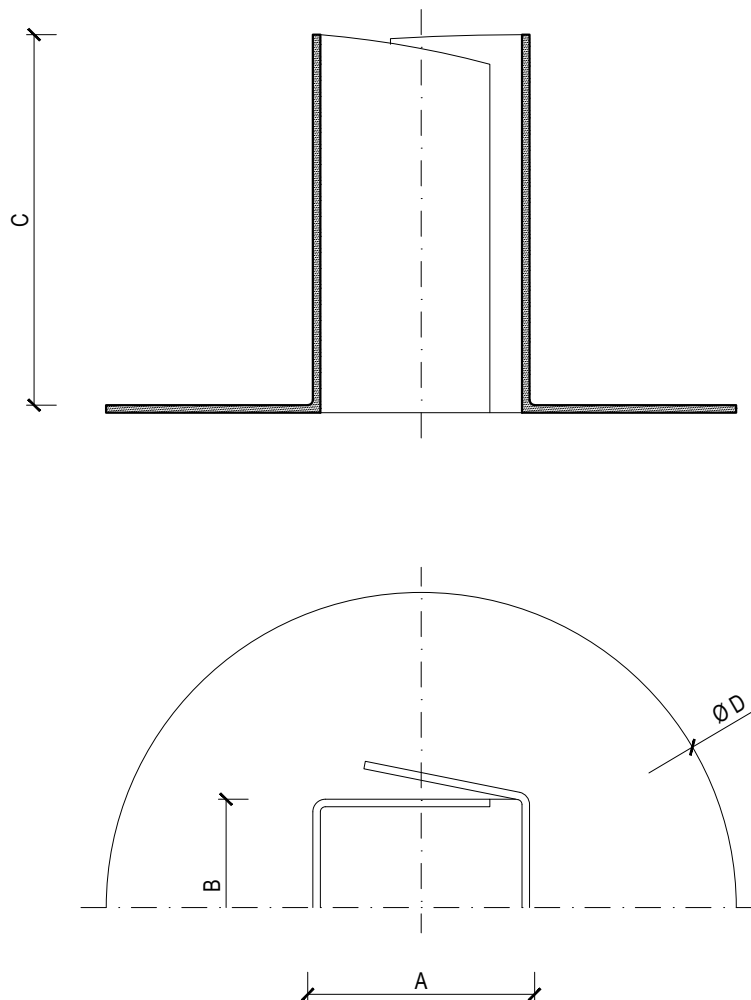
GEWICHT: kg

MATERIAL: BIT

TOPWET®
ROOF ELEMENTS

WWW.TOPWET.CZ

INFO: +420 777 701 241



TYPE = ABMESSUNG "A" x "B" mm	ABMESSUNG "C" mm	"D" mm
TWOB 8x40, 8x50, 10x30, 10x40, 10x50, 15x35, 16x16, 10x35, 20x20, 20x35	150	180
TWOB 20x40, 25x25, 25x30, 30x30, 10x60, 15x50, 15x60, 20x50, 20x70	150	180
TWOB 25x45, 25x50, 27x40, 30x40, 30x50, 30x60, 35x35, 35x50, 35x70	150	180
TWOB 40x40, 40x45, 40x50, 40x55, 40x60, 40x70, 45x45, 50x50, 60x60	150	180
TWOB 8x80, 10x90, 10x100, 15x100, 40x80, 50x80, 55x85, 70x70, 80x80	150	250
TWOB 50x100, 60x100	150	275
TWOB 50x150, 60x120, 75x145, 80x160, 100x100, 100x150, 120x120, 120x140	150	350
TWOB 150x150	150	350

GEÖFFNETES VIERECKIGES FORMSTÜCK ZUR BEARBEITUNG DER DURCHBRÜCHE

TYPE: TWOB CT 000

CODE: 960141000

MASSSTAB: 1:3

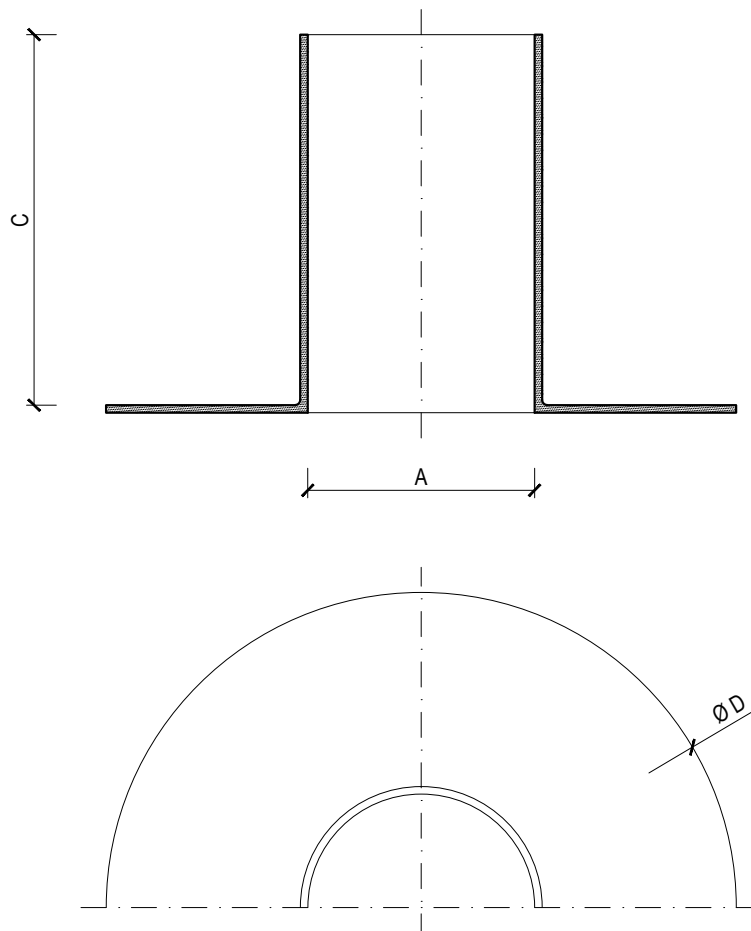
GEWICHT: kg

MATERIAL: BIT

TOPWET®
ROOF ELEMENTS

WWW.TOPWET.CZ

INFO: +420 777 701 241



TYPE = ABMESSUNG "A" mm	ABMESSUNG "C" mm	"D" mm
TWUT 11, 12, 14, 15, 16, 17, 20, 24, 25, 30, 32, 35	150	150
TWUT 40, 42, 43, 45, 50, 51, 56, 60, 65, 70	150	150
TWUT 72, 75, 76, 77, 80, 83	150	180
TWUT 90, 100, 102, 105, 110, 114	150	250
TWUT 120, 125, 138, 140, 150, 160, 170, 180	150	275
TWUT 200	150	350

GESCHLOSSENES RUNDFORMSTÜCK ZUR BEARBEITUNG DER DURCHBRÜCHE

TYPE: TWUT KR 000

CODE: 960211000

MASSTAB: 1:3

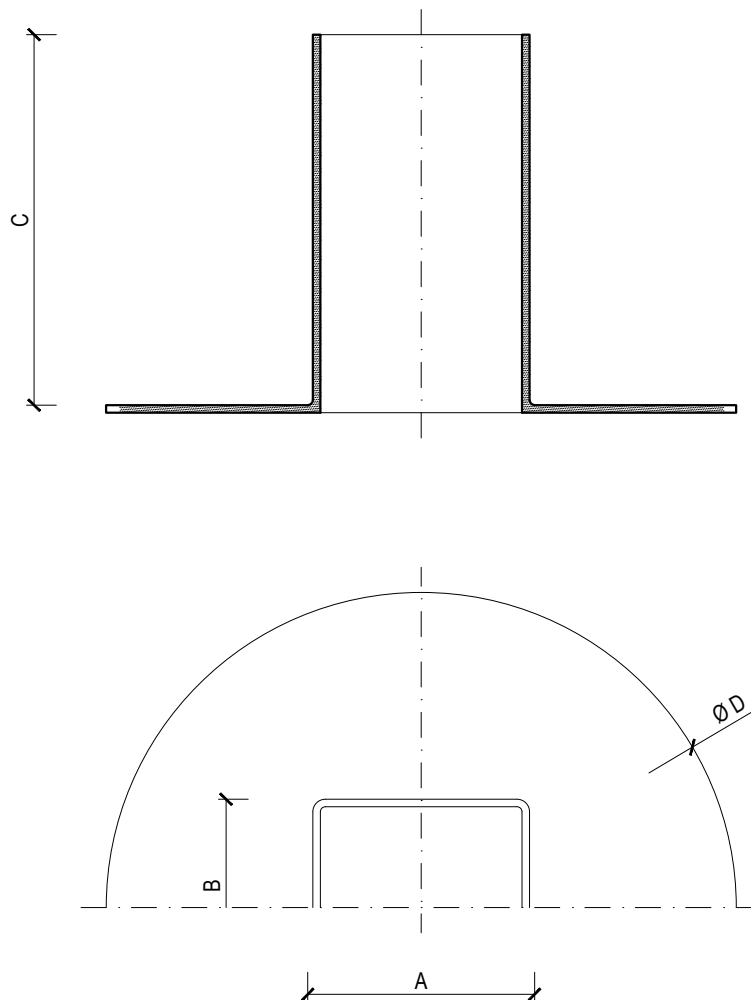
GEWICHT: kg

MATERIAL: PVC

TOPWET®
ROOF ELEMENTS

WWW.TOPWET.CZ

INFO: +420 777 701 241



TYPE = ABMESSUNG "A" x "B" mm	ABMESSUNG "C" mm	"D" mm
TWUT 8x40, 8x50, 10x30, 10x40, 10x50, 15x35, 16x16	150	150
TWUT 10x35, 20x20, 20x35, 20x40, 25x25, 25x30, 30x30, 10x60, 15x50, 15x60, 20x50	150	150
TWUT 20x70, 25x45, 25x50, 27x40, 30x40, 30x50, 30x60, 35x35, 35x50, 35x70	150	150
TWUT 40x40, 40x50, 40x55, 40x60, 40x70, 45x45, 50x50, 60x60	150	150
TWUT 8x90, 15x100, 50x80, 55x85, 10x90, 10x100, 70x70, 40x80, 80x80	150	180
TWUT 50x100, 60x100	150	250
TWUT 50x150, 60x120, 75x145, 100x100, 100x150, 120x120, 120x140	150	275
TWUT 80x160	150	300
TWUT 150x150	150	350

GESCHLOSSENES VIERECKIGES FORMSTÜCK ZUR BEARBEITUNG DER DURCHBRÜCHE

TYPE: TWUT CT 000

CODE: 960221000

MASSSTAB: 1:3

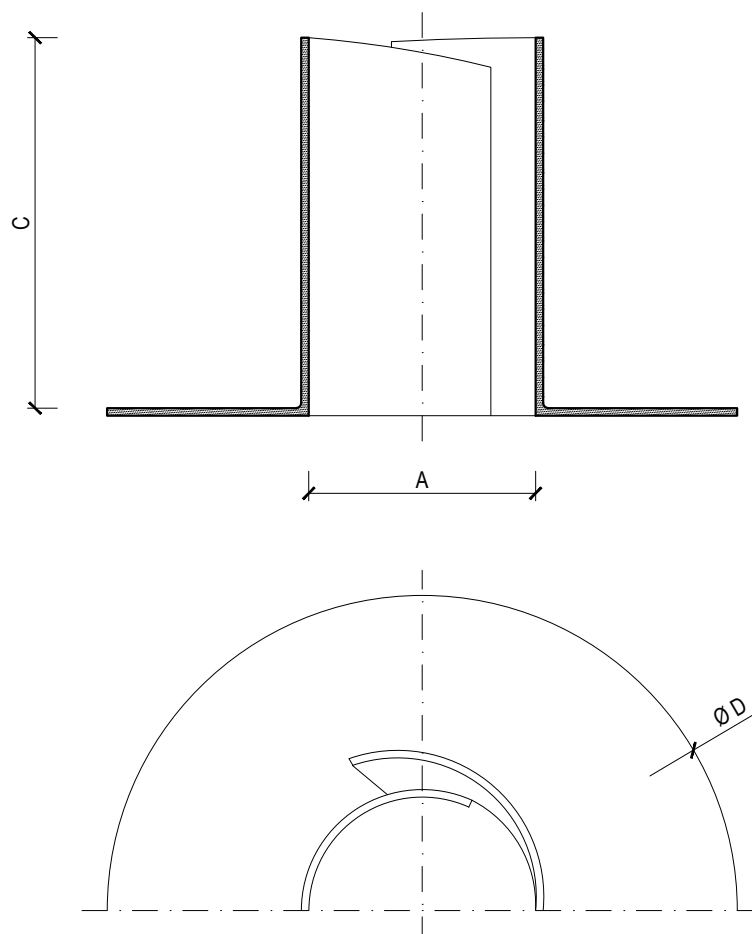
GEWICHT: kg

MATERIAL: PVC

TOPWET®
ROOF ELEMENTS

WWW.TOPWET.CZ

INFO: +420 777 701 241



TYPE = ABMESSUNG "A" mm	ABMESSUNG "C" mm	"D" mm
TWOT 15, 16, 17, 20, 24, 25, 30, 32, 35	150	150
TWOT 40, 42, 43, 45, 50, 51, 56, 60, 65, 70	150	150
TWOT 72, 75, 76, 77, 80, 83	150	180
TWOT 90, 100, 102, 105, 110, 114	150	250
TWOT 120, 125, 138, 140, 150, 160, 170, 180	150	275
TWOT 200	150	350

GEÖFFNETES RUNDFORMSTÜCK ZUR BEARBEITUNG DER DURCHBRÜCHE

TYPE: TWOT KR 000

CODE: 960231000

MASSTAB: 1:3

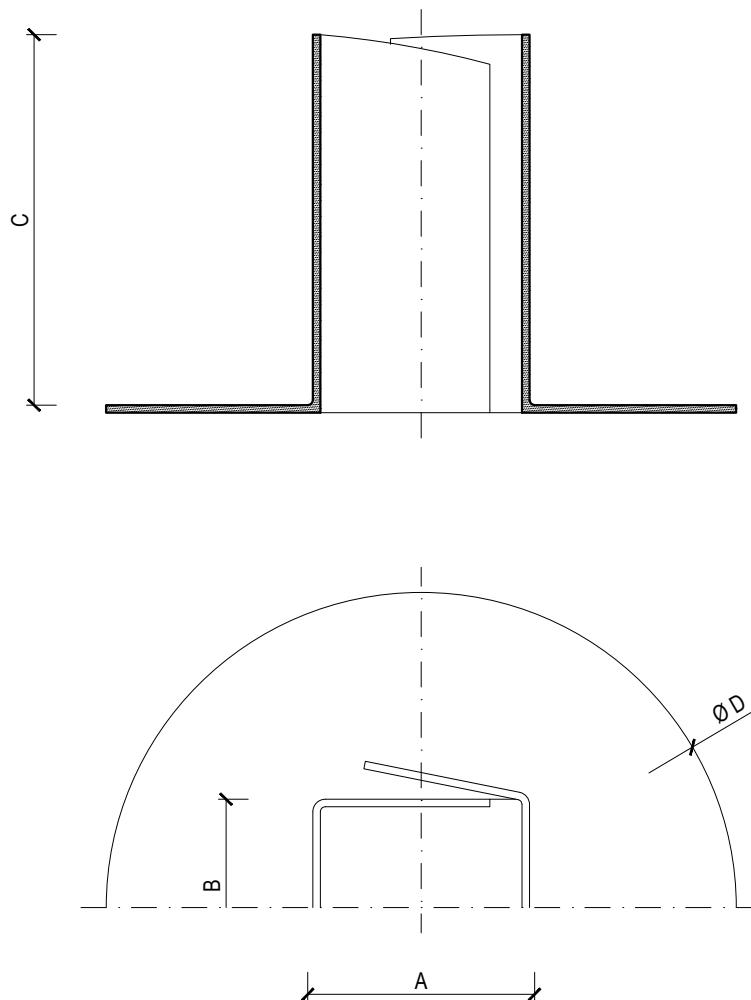
GEWICHT: kg

MATERIAL: PVC

TOPWET®
ROOF ELEMENTS

WWW.TOPWET.CZ

INFO: +420 777 701 241



TYPE = ABMESSUNG "A" x "B" mm	ABMESSUNG "C" mm	"D" mm
TWOT 8x40, 8x50, 10x30, 10x35, 10x40, 10x50, 15x35, 16x16	150	150
TWOT 20x20, 20x35, 20x40, 25x25, 25x30, 30x30, 10x60, 15x50, 15x60, 20x50, 20x70	150	150
TWOT 25x45, 25x50, 27x40, 30x40, 30x50, 30x60, 35x35, 35x50, 35x70	150	150
TWOT 40x40, 40x50, 40x55, 40x60, 40x70, 45x45, 50x50, 60x60	150	150
TWOT 8x90, 15x100, 50x80, 55x85, 10x90, 10x100, 70x70, 40x80, 80x80	150	180
TWOT 50x100, 60x100	150	250
TWOT 50x150, 60x120, 75x145, 100x100, 100x150, 120x120, 120x140	150	275
TWOT 80x160	150	300
TWOT 150x150	150	350

GEÖFFNETES VIERECKIGES FORMSTÜCK ZUR BEARBEITUNG DER DURCHBRÜCHE

TYPE: TWOT CT 000

CODE: 960241000

MASSSTAB: 1:3

GEWICHT: kg

MATERIAL: PVC

TOPWET®
ROOF ELEMENTS

WWW.TOPWET.CZ

INFO: +420 777 701 241